

BORZALINO

ITALIAN LUXURY LIVING



NIMA

NIMA

L'equilibrio e l'eleganza di una libreria cielo\terra leggera e modulabile si fonde insieme il legno massello con dettagli in metallo e mensole in vetro, la funzione di sorreggere, aggiunta a quella di separare gli ambienti, determina un nuovo modo di concepire gli spazi.

Struttura portante: legno massello con dettagli in ottone. I montanti sono utilizzati per l'installazione dal pavimento al soffitto e possono essere regolati di 4/5 cm nella parte superiore oppure per l'installazione a parete. I montanti hanno un intervallo di perforazione di 20 cm dove posizionare il ripiano in vetro con supporto in legno massello. **Mensola:** in vetro di cm 91 e cm 61.

EN

The balance and elegance of a light, modular and full-wall bookcase combined with solid wood through metal details and glass shelves. The support function, added to that of separating two rooms, gives life to a new way of thinking about space.

Supporting structure: solid wood with brass details. The uprights are used for floor-to-ceiling installation and can be adjusted by 4/5cm at the top or used for attach to the wall. Uprights have a perforation interval of 20 cm where place the glass shelf with solid wood support. **Shelf:** in glass 91 cm and 61 cm.

FR

L'équilibre et l'élégance d'une bibliothèque avec fixation du sol au plafond, léger et modulable se marie au bois massif avec des détails en métal et des étagères en verre, la fonction de soutien, ajoutée à celle de séparer les pièces, détermine une nouvelle façon de concevoir les espaces.

Structure de soutien : bois massif avec détails laiton. Les montants sont utilisés pour une installation du sol au plafond et peuvent être réglés de 4 / 5 cm en hauteur ou sont utilisés pour une installation au mur. Les montants ont un intervalle de perforation de 20 cm à l'endroit où se possible placer l'étagère en verre avec support en bois massif. **Etagère :** en verre de 91 cm et 61 cm.

BORZALINO

ITALIAN LUXURY LIVING



293x28 h 247 / 15 shelves 91 cm - 4 uprights

The uprights are used for floor-to-ceiling installation and can be adjusted by 4/5 cm at the top and the bottom. Assemble in 3 sections paired with 4 uprights in solid oak wood Dark Cashmere Oak finish. Uprights have a perforation interval of 20 cm where place the Bronze glass shelf 91cm with solid oak wood support. All metal details are in Brass finishing Satin Brass.

DETAILS



installazione a parete
wall installation
installation au mur



installazione a soffitto
ceiling installation
installation au plafond

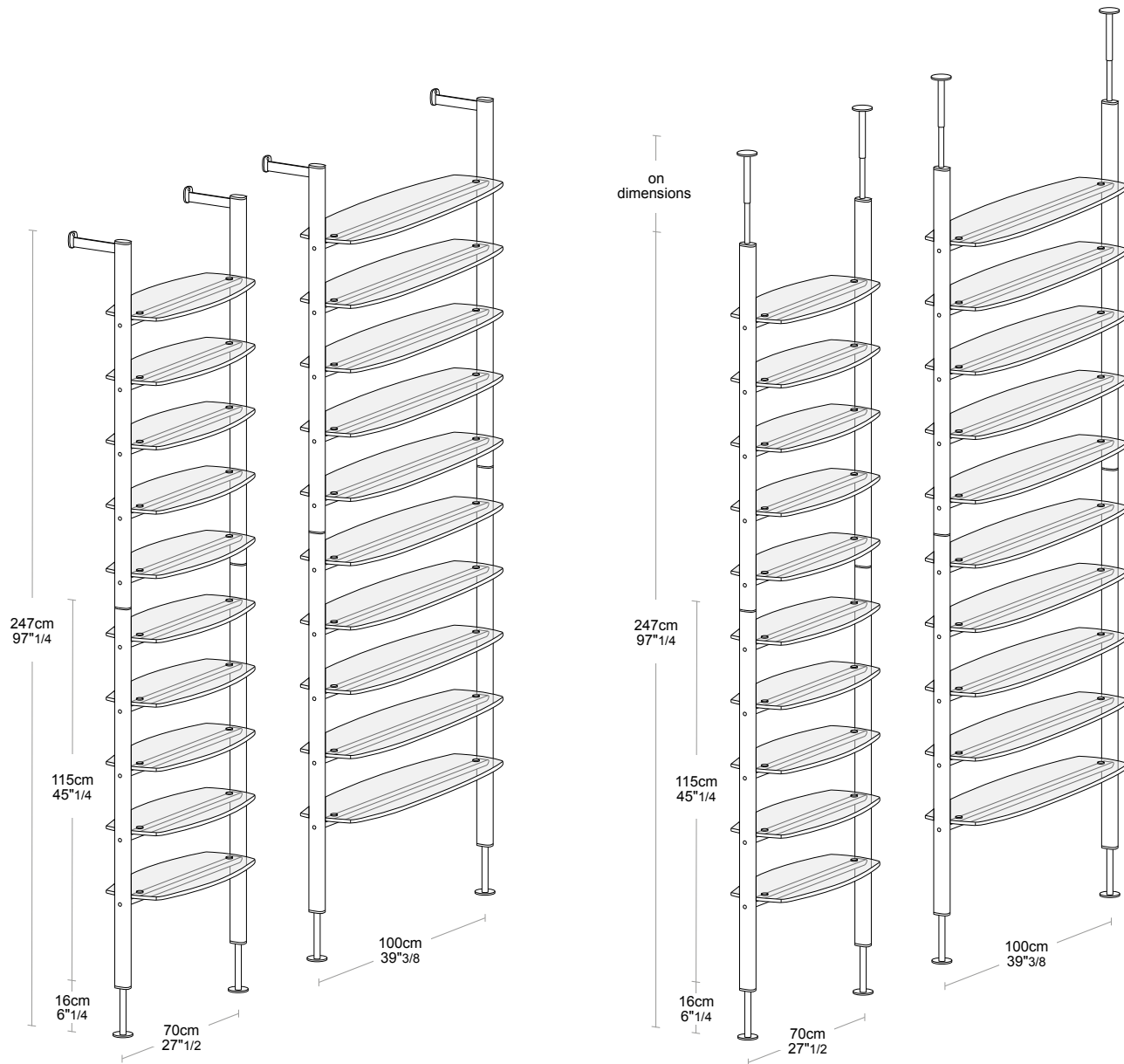


supporto a pavimento
floor support
soutien au sol



dettagli in ottone
brass details
détails laiton

NIMA



Installazione a parete
Su composizione a due montanti è possibile posizionare max 10 mensole.

Wall installation
On composition with two uprights it is possible to place max 10 shelves.

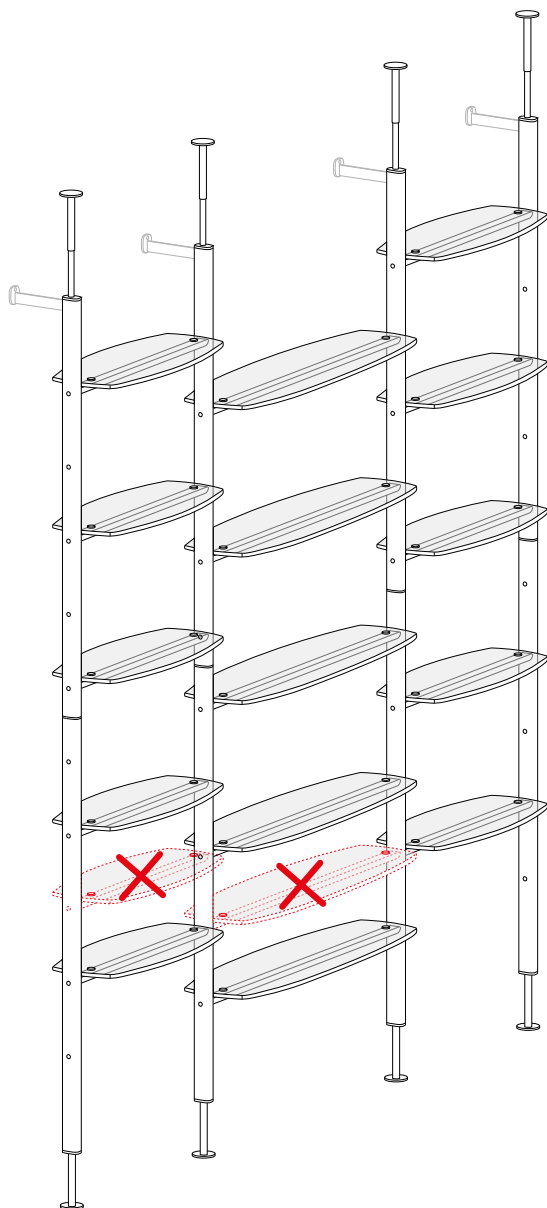
Installation murale
Sur la composition à deux montants est possible de placer jusqu'à 10 étagères.

Installazione a soffitto
Su composizione a due montanti è possibile posizionare max 10 mensole.

Floor-to-ceiling installation
On composition with two uprights it is possible to place max 10 shelves.

Installation au plafond
Sur la composition à deux montants est possible de placer jusqu'à 10 étagères.

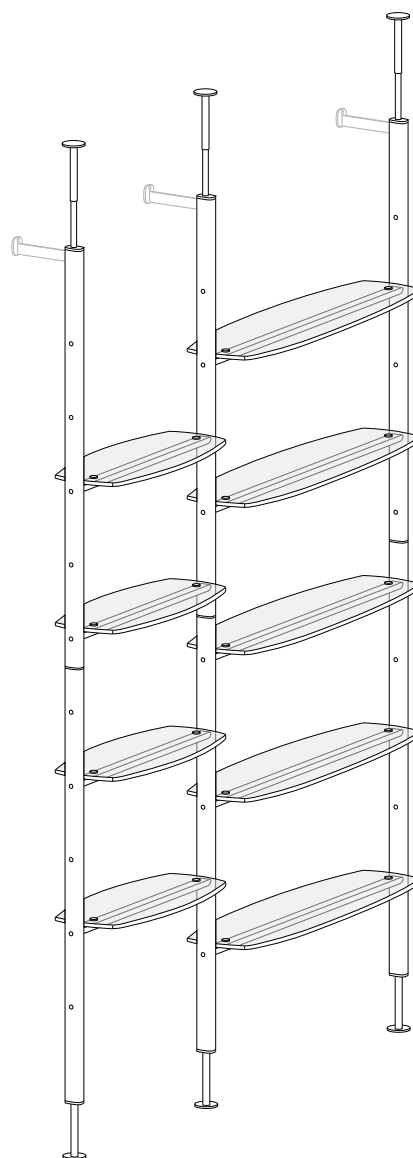
NIMA



Esempio di libreria a 4 montanti
Nelle composizioni è possibile posizionare
le mensole **SOLO** alternandole.

Example of bookcase with 4 uprights
you can position the shelves **ONLY** by
alternating them.

Exemple de bibliothèque à 4 montants
vous pouvez positionner les étagères
UNIQUEMENT en les alternant.

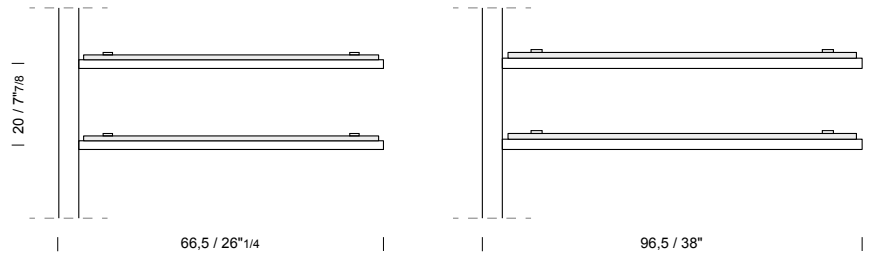


Esempio di libreria a 3 montanti
Nelle composizioni è possibile posizionare
le mensole **SOLO** alternandole.

Example of bookcase with 3 uprights
you can position the shelves **ONLY** by
alternating them.

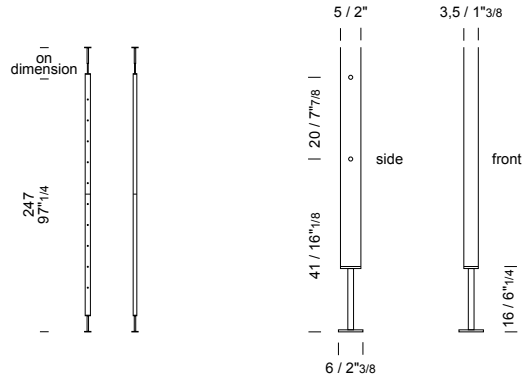
Exemple de bibliothèque à 3 montants
vous pouvez positionner les étagères
UNIQUEMENT en les alternant.

NIMA



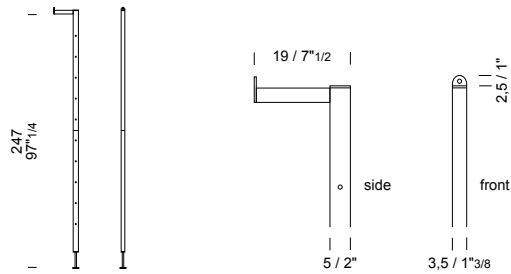
5x3,5 h 247

N247 /montante fissaggio pavimento-soffitto
/floor-to-ceiling fixing upright
/montant avec fixation du sol au plafond



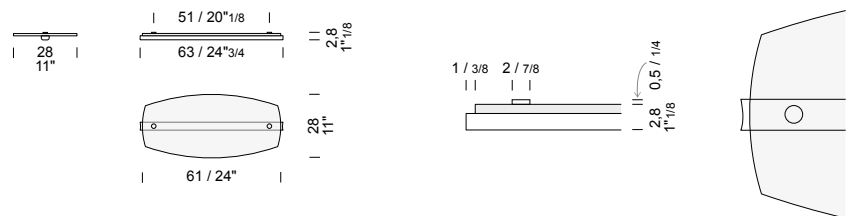
19x3,5 h 247

NP47 /montante fissaggio a parete
/wall fixing upright
/montant avec fixation murale



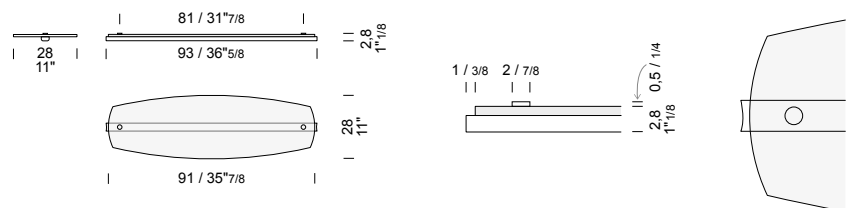
63x2,8 - prof/depth/prof 28

N61 /mensola con traverso
/shelf with crossbeam
/étagère avec traverse



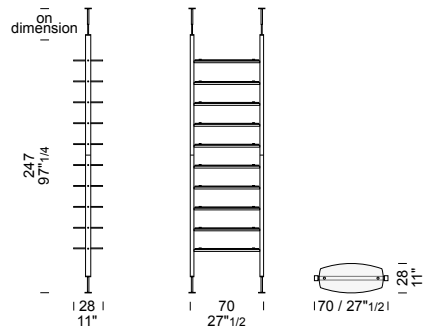
93x2,8 - prof/depth/prof 28

N91 /mensola con traverso
/shelf with crossbeam
/étagère avec traverse



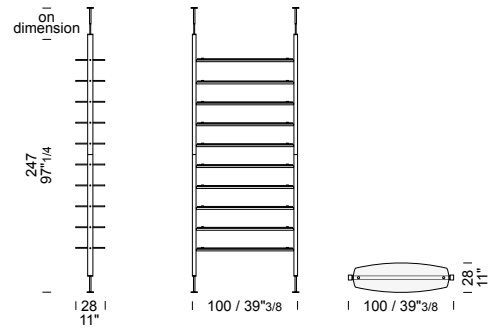
70x28 h 247

NM70 /libreria
/bookcase
/bibliothèque



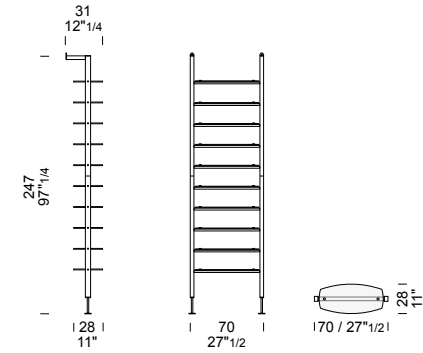
100x28 h 247

NM10 /libreria
/bookcase
/bibliothèque



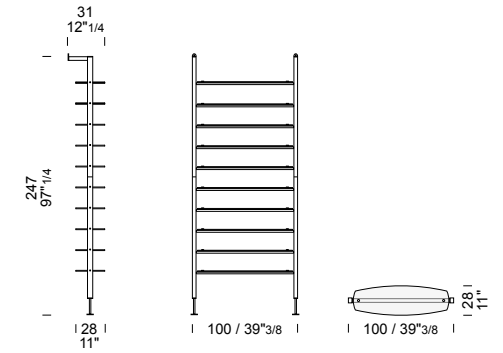
70x31 h 247

NP70 /libreria
/bookcase
/bibliothèque



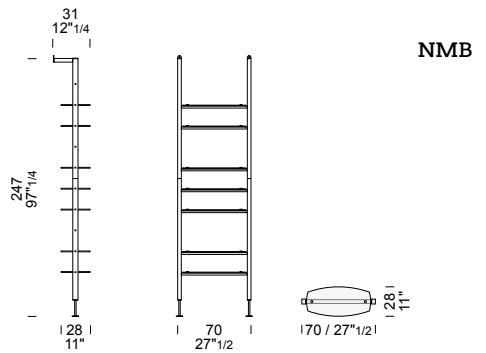
100x31 h 247

NP10 /libreria
/bookcase
/bibliothèque



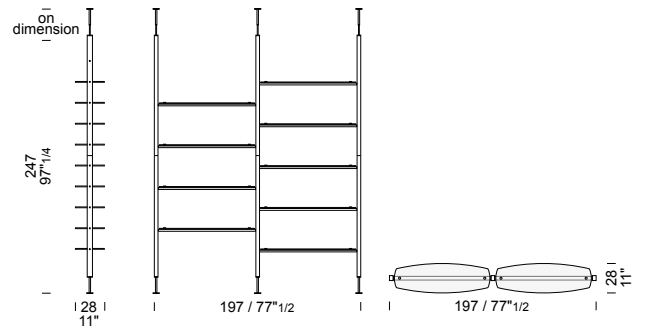
70x31 h 247

NMC /libreria
/bookcase
/bibliothèque



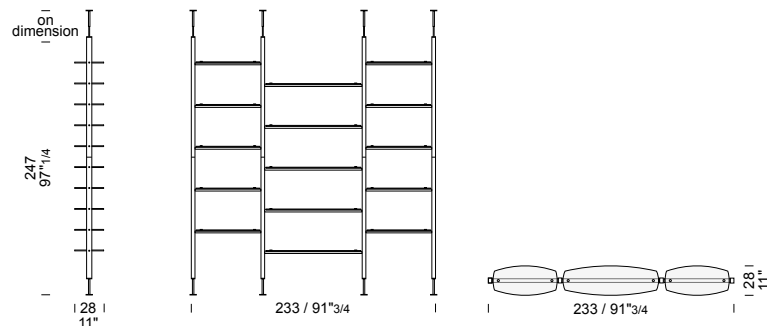
197x28 h 247

NMB /libreria
/bookcase
/bibliothèque



233x28 h 247

NMA /libreria
/bookcase
/bibliothèque



LEGNO
WOOD
BOIS



NATURAL OAK (LA1)



DARK CASHMERE OAK (LA1)



CANALETTO WALNUT (LA2)



LIGHT BROWN OAK (LA1)



BROWN OAK (LA1)



WENGÉ (LA1)



GREY OAK (LA1)



BLACK OAK (LA1)



LACQUERED RAL CODE (LA1)

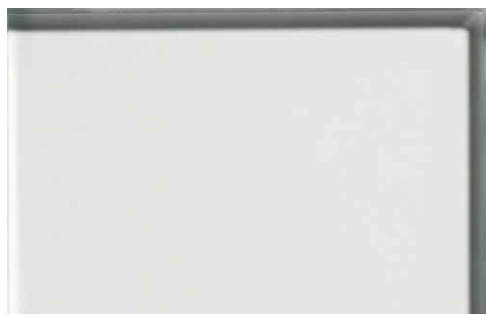
Tutte le immagini sono inserite a scopo illustrativo, i colori sono puramente indicativi e possono differire dai toni reali.
All images are shown for illustrative purposes, the colors are purely indicative and may differ from the real tones.
Toutes les images sont présentées à titre d'illustration, les couleurs vues sur l'écran sont purement indicatives et peuvent différer des tons réels.

VETRO GLASS VERRE

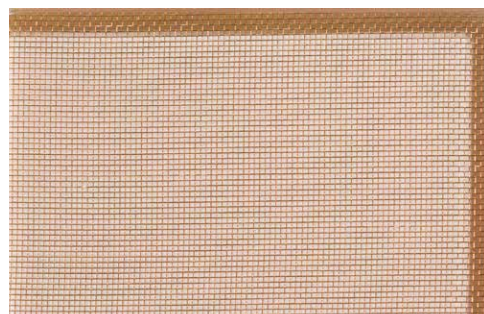
I vetri mesh sono una novità estetica e tecnologica. Molto particolari, sono l'unione di una rete metallica, argento o oro, all'interno di due strati di vetro di qualsiasi colore. Così da poter creare elegantissimi abbinamenti tra texture e vetro unito. In caso di rottura i reticoli di metallo trattengono i frammenti di vetro.

Mesh glass is an aesthetic and technological innovation. Very particular, they are the union of a metallic net, silver or gold, inside two layers of glass of any color. So you can create elegant combinations of textures and combined glass. In case of breakage, the metal lattices retain the glass fragments.

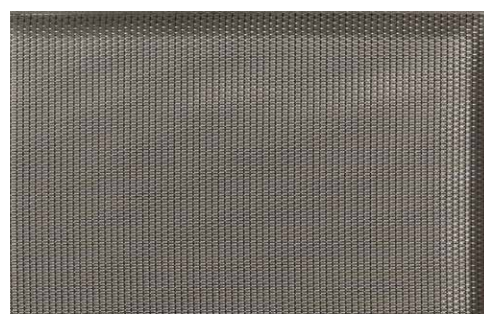
Les verres mesh sont une nouveauté esthétique et technologique. Très particuliers, est l'union d'une maille métallique, d'argent ou d'or, à l'intérieur de deux couches de verre de toute couleur. Ainsi pour créer très élégantes combinaisons de textures et verre uni. En cas de rupture les mailles métalliques retiennent les éclats de verre.



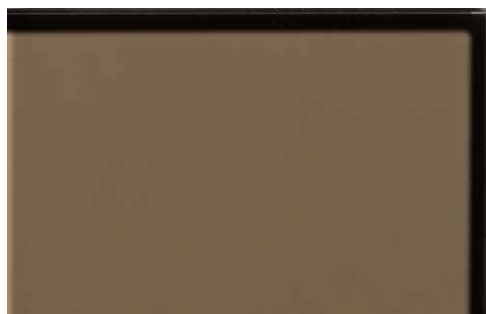
EXTRA CLEAR (VT1)



GOLDEN MESH ON EXTRA CLEAR (VT2)



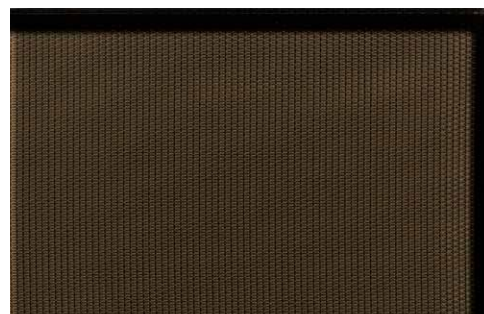
SILVER MESH ON EXTRA CLEAR (VT2)



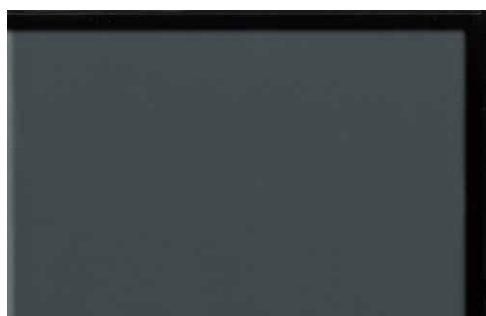
BRONZE (VT1)



GOLDEN MESH ON BRONZE (VT2)



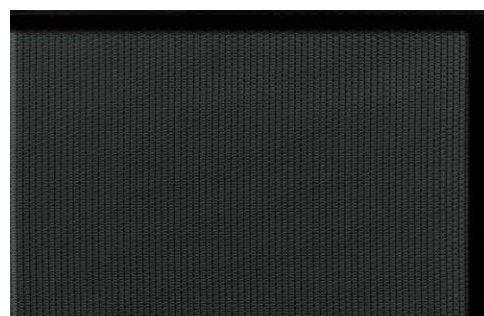
SILVER MESH ON BRONZE (VT2)



SMOKY (VT1)



GOLDEN MESH ON SMOKY (VT2)



SILVER MESH ON SMOKY (VT2)

Tutte le immagini sono inserite a scopo illustrativo, i colori sono puramente indicativi e possono differire dai toni reali.
All images are shown for illustrative purposes, the colors are purely indicative and may differ from the real tones.
Toutes les images sont présentées à titre d'illustration, les couleurs vues sur l'écran sont purement indicatives et peuvent différer des tons réels.

METALLO METAL MÉTAL

Fedeli all'idea di una collezione in armonia con il naturale, abbiniamo metalli nelle finiture brunito, satinato, laccato e cromato.

Faithful to the idea of a collection in harmony with the natural, we combine metals in burnished, satin, lacquered and chrome finishes.

Fidèle à l'idée d'une collection en harmonie avec le naturel, nous associons les métaux dans des finitions bruniées, satinées, laquées et chromées.

LACCATO OPACO / MATT LACQUERED / LAQUÉ MAT



SAND GOLD

SUNSET COPPER

LACQUERED RAL CODE

LACCATO LUCIDO / GLOSS LACQUERED / LAQUÉ BRILLANT



GLOSS GREY

GLOSS BLACK

TITANIO

BRASS (ON IRON)

BRONZE (ON IRON)

VERNICE A POLVERE / POWDER COATING / PEINTURE EN POUDDRE



YW276I BEIGE

YY217E GOLD

ANODIC BRONZE

SW268JR BRONZE

VULCAN GREY



ANODIC BLACK

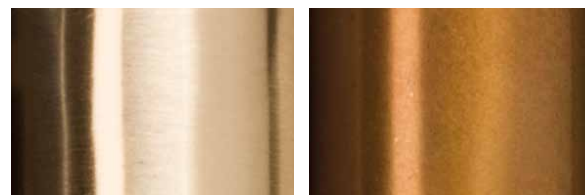
GALVANICA / GALVANIZED / GALVANISATION



CHROME

SATIN CHROME

FINITURA SU OTTONE / FINISHING ON BRASS / FINITION SUR LAITON



SATIN BRASS (ON BRASS)

BURNISHED BRONZE (ON BRASS)

Tutte le immagini sono inserite a scopo illustrativo, i colori sono puramente indicativi e possono differire dai toni reali.
All images are shown for illustrative purposes, the colors are purely indicative and may differ from the real tones.
Toutes les images sont présentées à titre d'illustration, les couleurs vues sur l'écran sont purement indicatives et peuvent différer des tons réels.

TABELLA FINITURE METALLO
METAL FINISHES LIST
LISTE DES FINITIONS DU MÉTAL

	VULCAN GREY	SAND GOLD	SUNSET COPPER	LACQUERED RAL	GLOSS BLACK	GLOSS GREY	BRONZE (ON IRON)	BRASS (ON IRON)	CHROME	SATIN CHROME	ANODIC BLACK	ANODIC BRONZE	TITANIO	YW276I BEIGE	YY27E GOLD	SW268JR BRONZE	SATIN BRASS (ON BRASS)	BURNISHED BRONZE (ON BRASS)
ALEX	●	○	○	○	○	○	-	-	○	○	●	●	-	●	●	●	●	●
AYTON	●	●	●	●	●	●	○	○	○	○	●	●	○	●	●	●	-	-
BEN	●	●	●	●	●	●	○	○	○	○	●	●	○	●	●	●	-	-
B195	●	●	●	●	●	●	○	○	-	-	●	●	○	●	●	●	-	-
BSERIES	●	●	●	●	●	●	○	○	○	○	●	●	○	●	●	●	-	-
CAMY	●	●	●	●	●	●	○	○	○	○	●	●	○	●	●	●	-	-
CLIO & GEA	●	●	●	●	●	●	○	○	○	○	●	●	●	●	●	●	-	-
CURZIO	●	●	●	●	●	●	○	○	○	○	●	●	○	●	●	●	-	-
DIDEROT	●	●	●	●	●	●	-	-	○	○	●	●	-	●	●	●	-	-
DIVA	●	●	●	●	●	●	○	○	○	○	●	●	●	●	●	●	-	-
DIVA CHAIR	●	●	●	●	●	●	○	○	○	○	●	●	●	●	●	●	-	-
DIVA MINI SOFA	●	●	●	●	●	●	○	○	○	○	●	●	●	●	●	●	-	-
DIVA STOOL	●	-	-	○	-	-	-	-	-	-	●	●	-	●	●	●	-	-
DORIAN	○	-	-	○	-	-	-	-	-	-	●	●	●	○	○	○	-	-
ECLIPSE	●	○	○	○	○	○	-	-	○	○	●	●	-	●	●	●	●	●
ESME	●	●	●	●	●	●	○	○	○	○	●	●	○	●	●	●	-	-
EVE PLUS & CAPITONNÉ	●	●	●	●	●	●	○	○	○	○	●	●	○	●	●	●	-	-
FRISBEE	●	-	-	○	-	-	-	-	●	●	●	●	-	●	●	●	-	-
GOLIA	●	●	●	●	●	●	○	○	○	○	●	●	○	●	●	●	-	-
GORDON	●	●	●	●	●	●	○	○	○	○	●	●	●	●	●	●	-	-
GROUND	●	●	●	●	●	●	-	-	-	-	●	●	○	●	●	●	-	-
HALF MOON	●	○	○	○	○	○	-	-	○	○	●	●	-	●	●	●	●	●
HARMONY	●	●	●	●	●	●	○	○	○	○	●	●	○	●	●	●	-	-
HUG	●	-	-	○	-	-	-	-	○	○	●	●	-	●	●	●	●	●
KRIS BOOKCASE AND BUFFET	●	○	○	○	○	○	-	-	○	○	●	●	●	●	●	●	●	●
KRIS TAV	●	○	○	○	○	○	-	-	○	○	●	●	○	●	●	●	●	●
LEO	-	-	-	-	-	-	-	-	-	-	-	-	-	-	-	-	●	●
LIRA LAMPSHADE	●	-	-	○	●	-	-	-	○	○	●	●	-	●	●	●	-	-
LIRA DOME	●	-	-	-	●	-	-	-	○	○	-	-	-	-	-	-	●	●
MARTIN	●	●	●	●	●	●	-	-	○	○	●	●	○	●	●	●	-	-
MERIDIAN	●	-	-	○	-	-	-	-	-	-	-	-	-	●	●	●	●	●
MIA	●	●	●	●	●	●	○	○	○	○	●	●	○	●	●	●	-	-
MINERVA	●	○	○	○	○	○	○	○	○	○	●	●	●	●	●	●	-	-
NEW KAP	●	●	●	●	●	●	○	○	○	○	●	●	●	●	●	●	-	-
NIMA	-	-	-	-	-	-	-	-	-	-	-	-	-	-	-	-	●	●
PAUL	●	-	-	○	-	-	-	-	-	-	●	●	-	●	●	●	●	●
SAAR COFFEE TABLE	●	○	○	○	-	-	○	○	-	-	●	●	-	●	●	●	-	-
SAAR TABLE	●	○	○	○	-	-	○	○	-	-	●	●	-	●	●	●	-	-
SIGMUND	●	●	●	●	●	●	○	○	○	○	●	●	○	●	●	●	-	-
VOLTAIRE	●	●	●	●	●	●	-	-	○	○	●	●	-	●	●	●	-	-
ZENN	●	-	-	-	-	-	-	-	-	-	●	●	-	●	●	●	●	●
ZOE STOOL	●	-	-	○	-	-	-	-	-	-	●	●	-	●	●	●	-	-

● di serie / standard / en standard

○ a richiesta con supplemento prezzo / on request with surcharge / sur demande avec supplément

- non disponibile / not available / pas disponible